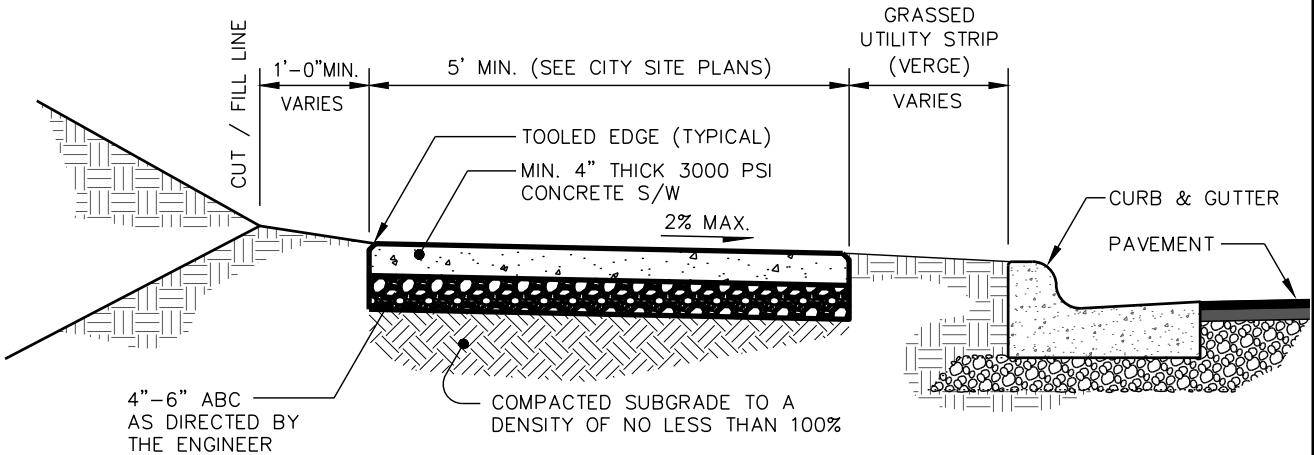


TYPICAL SIDEWALK with (VERGE) GRASS UTILITY STRIP



SECTION C-C

SEE SHEET 3 (THIS DETAIL)
FOR SECTION A-A, B-B AND NOTES

Details Provided by APPIAN Consulting Engineers - www.applanengineers.com



Dept. of Public Works
101 City Hall Plaza
Durham, NC 27701

CITY OF DURHAM, NC
USE WITH THE STANDARD SPECIFICATIONS ONLY

Voice (919) 560-4326
www.durhamnc.gov

**CONCRETE
SIDEWALKS**

SCALE: Not to Scale	DETAIL# 402.02
REVISION DATE: 06/2017	SHEET# 1 of 3