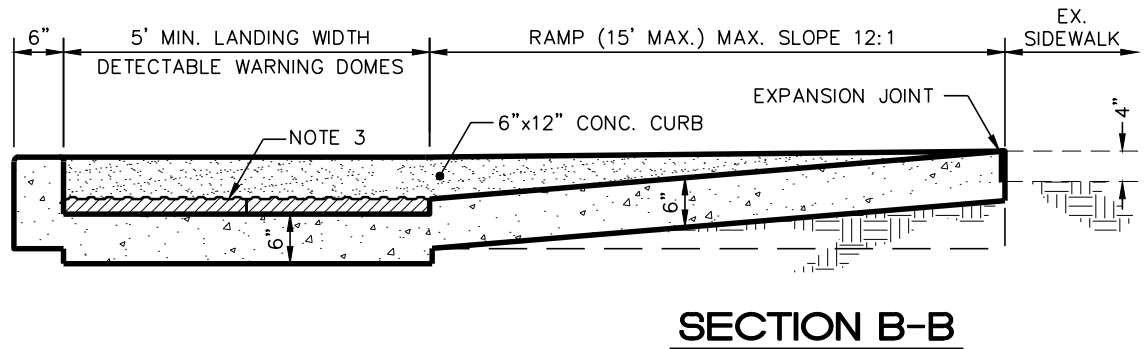
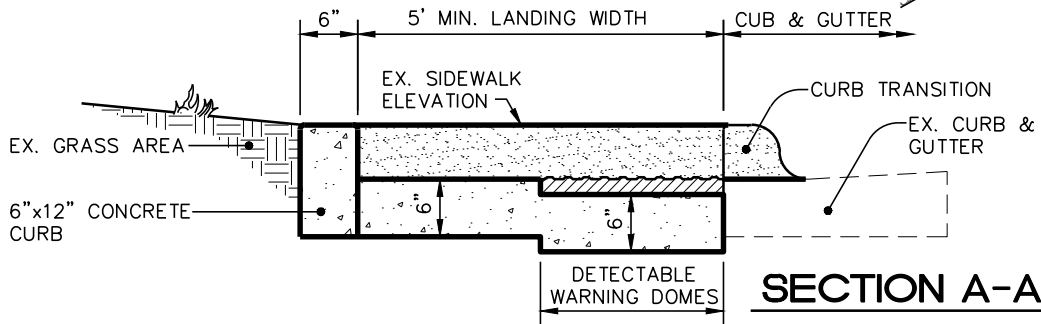
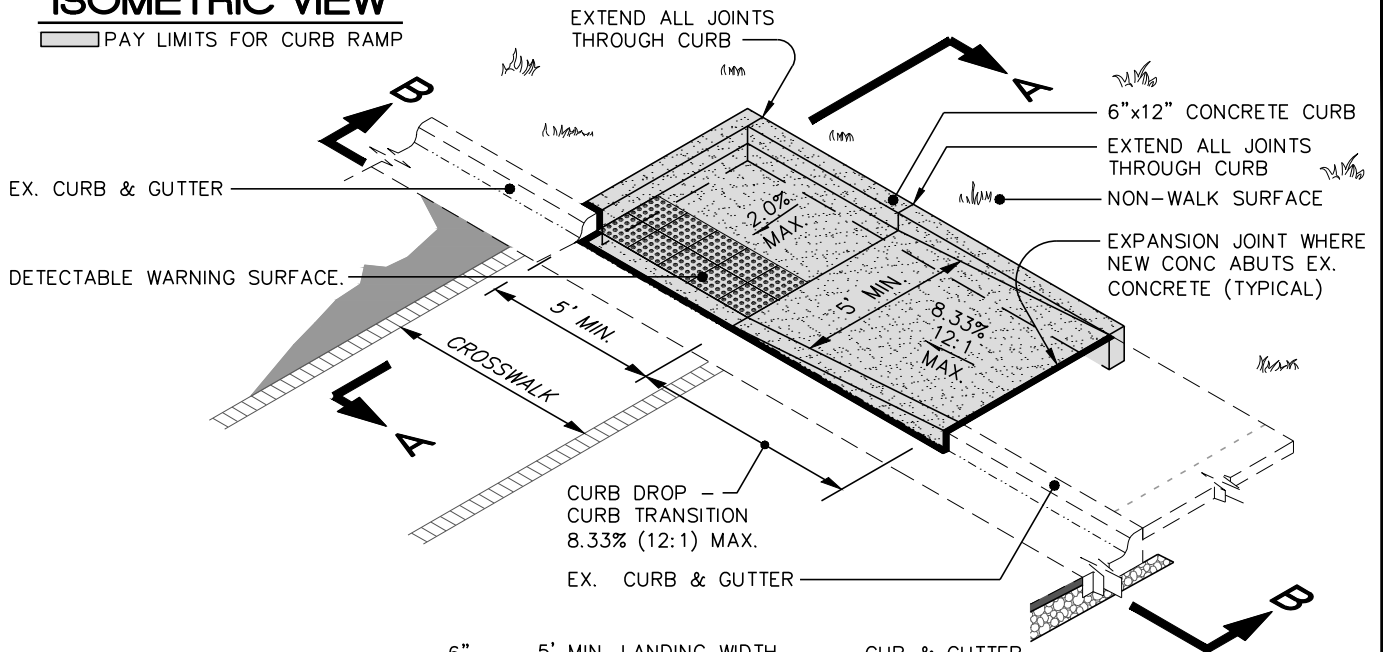


ISOMETRIC VIEW

▭ PAY LIMITS FOR CURB RAMP



NOTES:

1. Maximum curb ramp slope 8.33% (12:1)
2. Maximum cross slope 2.00%
3. Curb ramps require a (5'-0") minimum landing, with a maximum cross slope and longitudinal slope of 2.00% where pedestrians perform turning maneuvers. Slope to drain to curb.
4. Detectable warning domes will cover 2'-0" length and full width of the ramp where it is flush with the pavement.

Details Provided by APPIAN Consulting Engineers - www.applanengineers.com



Dept. of Public Works
101 City Hall Plaza
Durham, NC 27701

CITY OF DURHAM, NC
USE WITH THE STANDARD SPECIFICATIONS ONLY

Voice (919) 560-4326
www.durhamnc.gov

CURB RAMPS - DIRECTIONAL TYPE 1A

SCALE: Not to Scale	DETAIL# 405.04
REVISION DATE: 06/2017	SHEET# 2 of 2