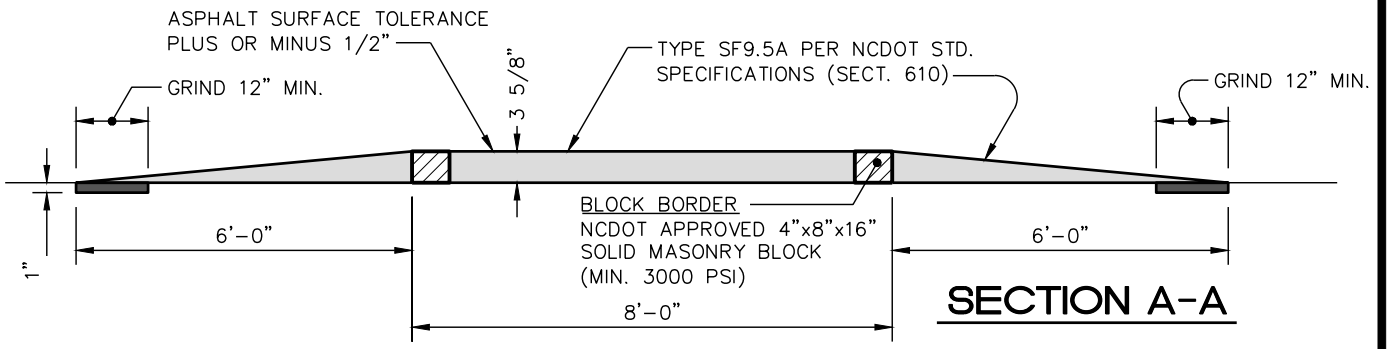
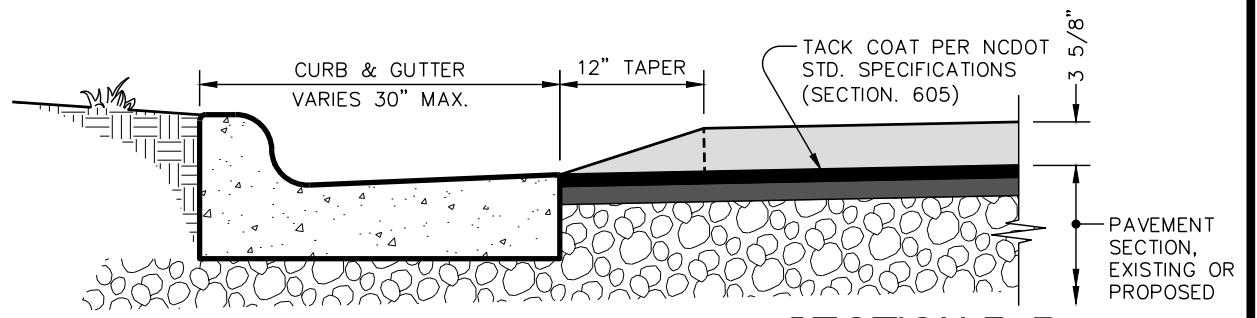


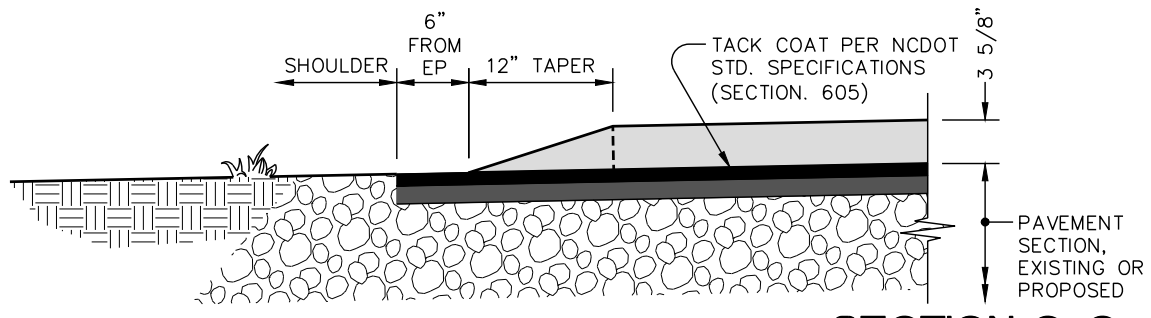
PLAN VIEW



SECTION A-A



SECTION B-B
(CURB & GUTTER ROAD)



SECTION C-C
(STRIP PAVED ROAD)

Details Provided by APPIAN Consulting Engineers - www.applanengineers.com



Dept. of Public Works
101 City Hall Plaza
Durham, NC 27701

CITY OF DURHAM, NC
USE WITH THE STANDARD SPECIFICATIONS ONLY

Voice (919) 560-4326
www.durhamnc.gov

SPEED HUMP

SCALE: Not to Scale	DETAIL# 407.01
REVISION DATE: 06/2017	SHEET# 1 of 1