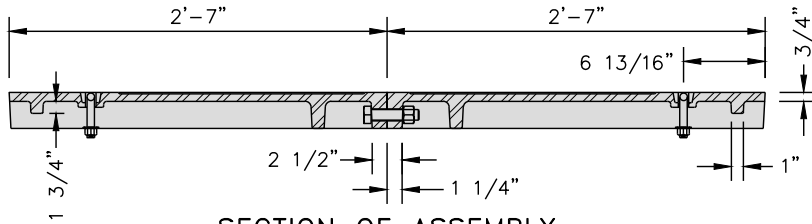
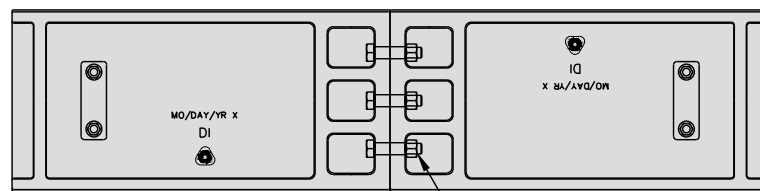


TOP OF COVER

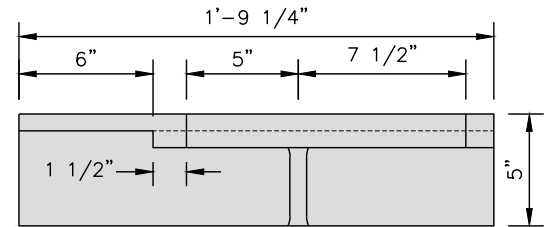


SECTION OF ASSEMBLY

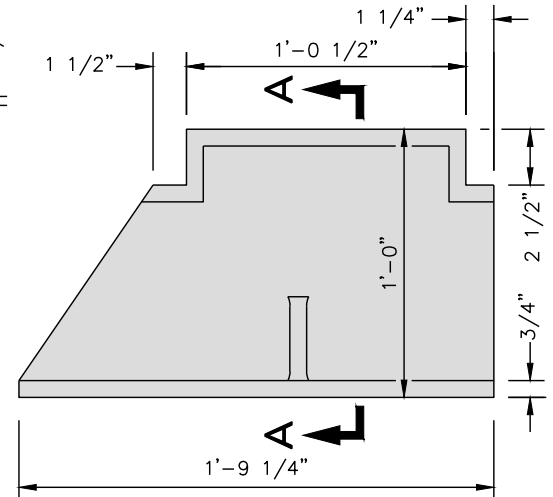


BACK SIDE OF ASSEMBLY

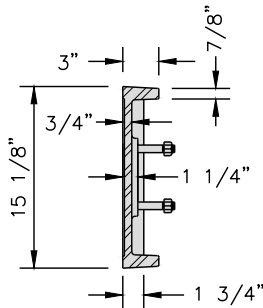
(3) 7/8"-9X4" LG HEX HD BOLTS,  
NUTS (GRADE 8) WITH LOCK WASHERS



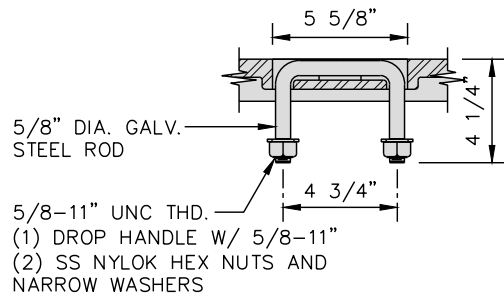
FRAME TOP



FRAME FRONT

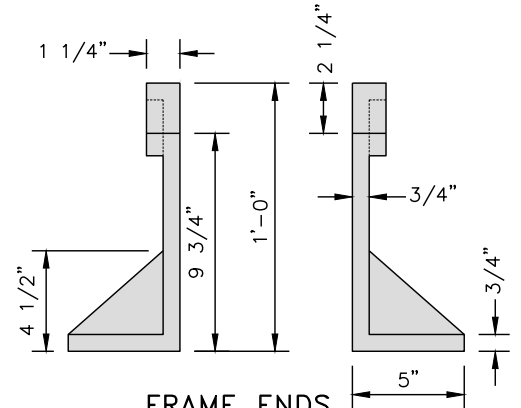


SECTION OF COVER

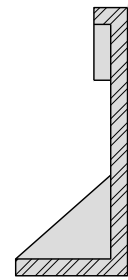


DROP HANDLE SECTION

5/8-11" UNC THD.  
(1) DROP HANDLE W/ 5/8-11"  
(2) SS NYLOK HEX NUTS AND  
NARROW WASHERS



FRAME ENDS



SECTION C-C

**NOTES:**

1. Est. Weight: 298 lbs (both pieces).
2. Material: ductile iron conforming to ASTM A536
3. Castings to be uncoated.
4. Castings to be made of recycled materials, 75% post consumer waste.
5. Logo and all lettering to be clean, crisp, and clearly legible.
6. 5/8" raised lettering (CITY OF DURHAM FOR RAIN WATER ONLY - DRAINS TO DRINKING WATER).
7. Use grade 8 bolts only for bolting together.
8. For casting specifications see [detail 638.01](#).

Details Provided by APPIAN Consulting Engineers - www.appianengineers.com



Dept. of Public Works  
101 City Hall Plaza  
Durham, NC 27701

**CITY OF DURHAM, NC**  
USE WITH THE STANDARD SPECIFICATIONS ONLY

Voice (919) 560-4326  
www.durhamnc.gov

**TYPE I CATCH BASIN  
WITH CURB INLET**

SCALE: Not to Scale	DETAIL# 633.03
REVISION DATE: 06/2017	SHEET# 2 of 2