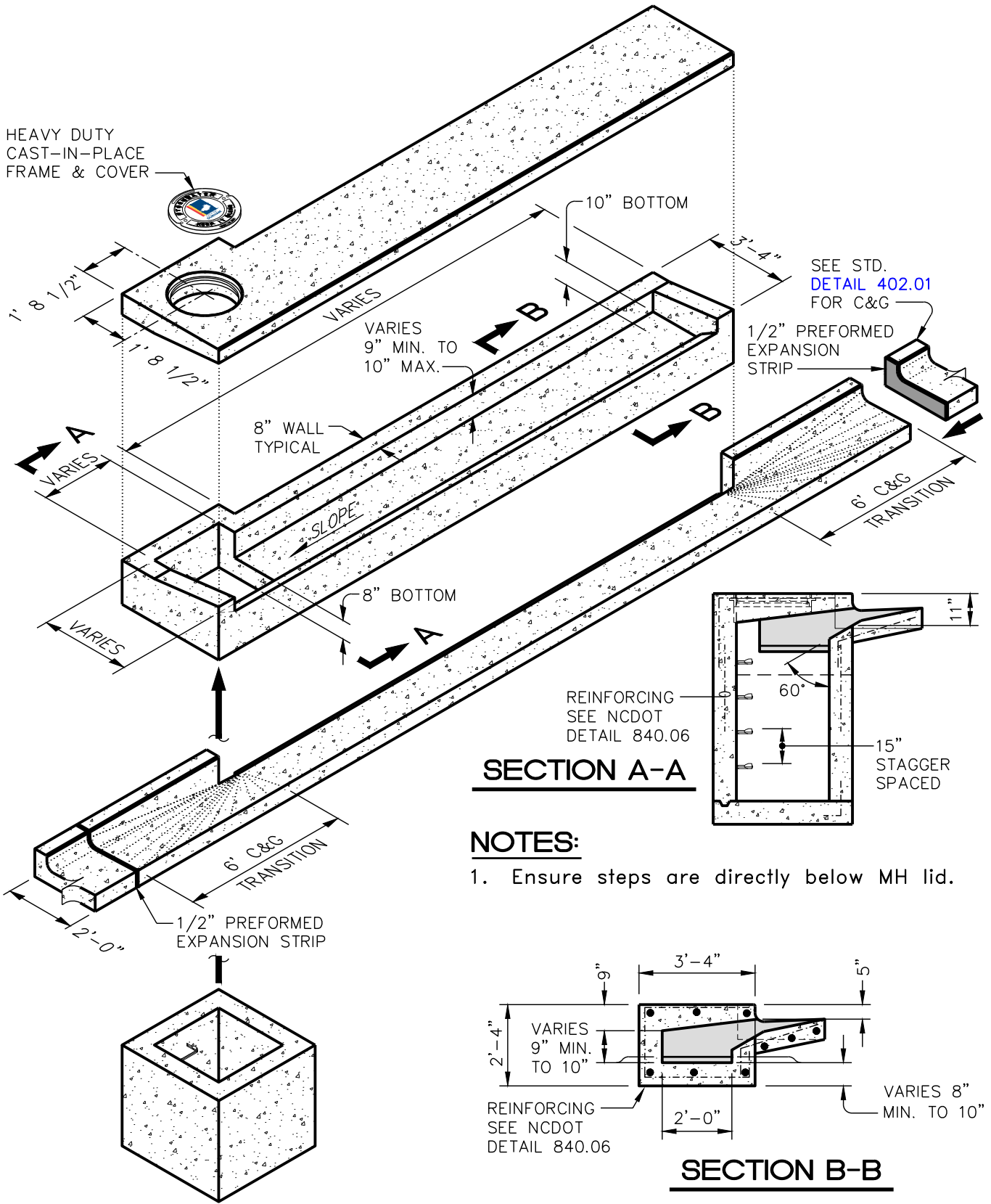
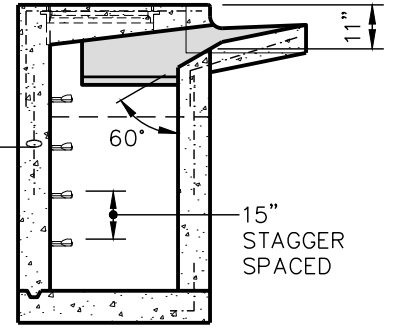


HEAVY DUTY  
CAST-IN-PLACE  
FRAME & COVER



SEE STD.  
DETAIL 402.01  
FOR C&G

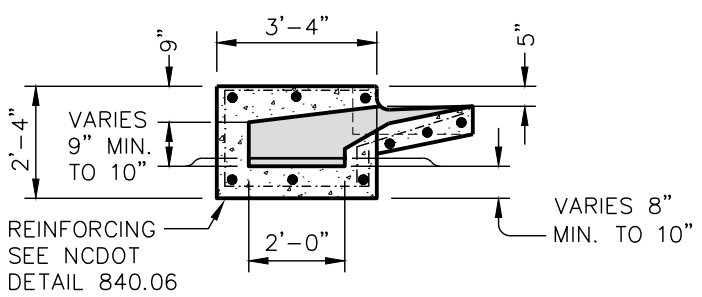
1/2" PREFORMED  
EXPANSION  
STRIP



**SECTION A-A**

**NOTES:**

- 1. Ensure steps are directly below MH lid.



**SECTION B-B**

Details Provided by APPIAN Consulting Engineers - www.applanengineers.com



Dept. of Public Works  
101 City Hall Plaza  
Durham, NC 27701

**CITY OF DURHAM, NC**  
USE WITH THE STANDARD SPECIFICATIONS ONLY

Voice (919) 560-4326  
www.durhamnc.gov

**ELONGATED THROAT CATCH BASIN  
NCDOT STD. 804.06 (15" thru 54" PIPE)**

SCALE: Not to Scale	DETAIL# 633.06
REVISION DATE: 06/2020	SHEET# 1 of 1