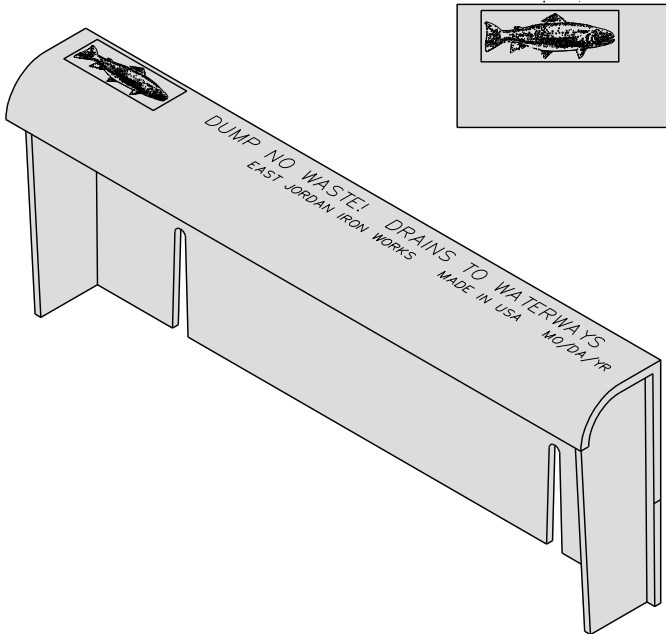


**2 x 3 YARD INLET
CATCH BASIN STAMP**



DROP INLET HOOD STAMP

Details Provided by APPIAN Consulting Engineers — www.applanengineers.com



Dept. of Public Works
101 City Hall Plaza
Durham, NC 27701

CITY OF DURHAM, NC
USE WITH THE STANDARD SPECIFICATIONS ONLY

Voice (919) 560-4326
www.durhamnc.gov

**CUSTOM STAMP ON
STORM DRAINAGE STRUCTURES**

SCALE: Not to Scale	DETAIL# 633.11
REVISION DATE: 06/2017	SHEET# 1 of 2