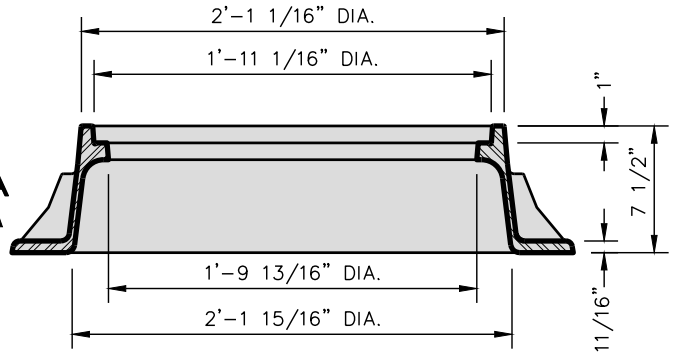


PLAN OF FRAME

TOP VIEW

(4) 1" DIA. ANCHOR BOLT.
HOLES EQUALLY SPACED. BOLT
FRAME TO CONE SECTION WHEN
ORDERED BY CITY'S ENGINEER.



SECTION A-A OF FRAME

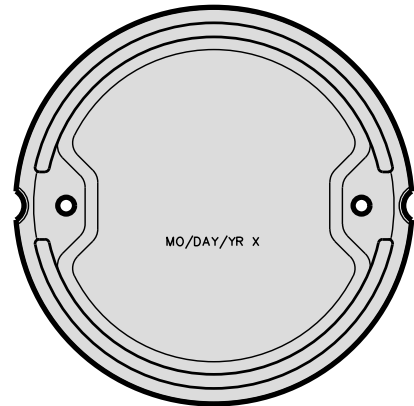
WEIGHT OF FRAME= 153 LBS.



PLAN OF COVER

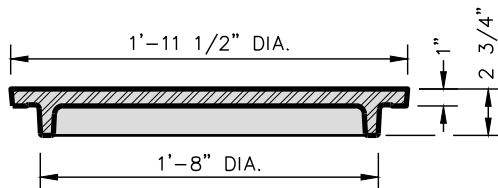
TOP VIEW

1 1/4" LETTERING
(RECESSED)
LETTERING/EMBLEM AS
MANUFACTURED BY EAST
JORDAN IRON WORKS OR
EQUAL
(2) 1" DIA.
VENT HOLES
(2) OPEN PICKHOLES
1 1/4" LETTERING
(RECESSED)



PLAN OF COVER

BOTTOM VIEW



SECTION OF COVER

WEIGHT OF COVER= 125 LBS.

NOTES:

1. All lettering shall be clean, crisp and clearly legible.
2. See casting specifications [detail 638.02](#)

Details Provided by APPIAN Consulting Engineers - www.applanengineers.com



Dept. of Public Works
101 City Hall Plaza
Durham, NC 27701

CITY OF DURHAM, NC

USE WITH THE STANDARD SPECIFICATIONS ONLY

Voice (919) 560-4326

www.durhamnc.gov

**STORMWATER MANHOLE
FRAME and COVER (8" DEPTH)**

SCALE:
Not to Scale

DETAIL#
635.01

REVISION DATE:
06/2020

SHEET#
1 of 1