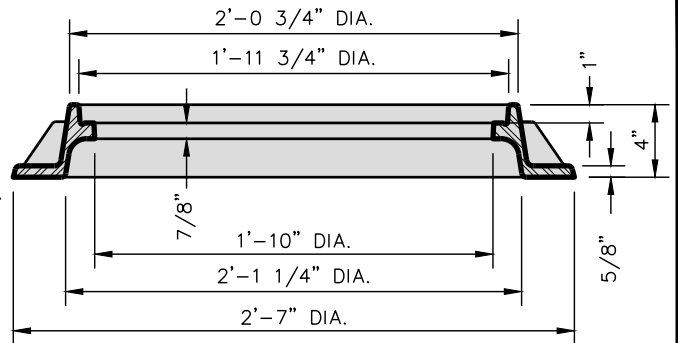


**PLAN OF FRAME**

TOP VIEW



**SECTION A-A OF FRAME**

WEIGHT OF FRAME= 153 LBS.

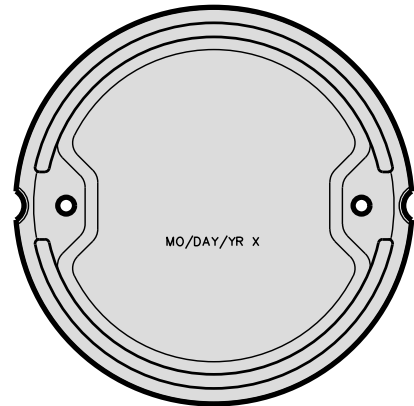
(4) 1" DIA. ANCHOR BOLT.  
HOLES EQUALLY SPACED. BOLT  
FRAME TO CONE SECTION WHEN  
ORDERED BY CITY'S ENGINEER.



**PLAN OF COVER**

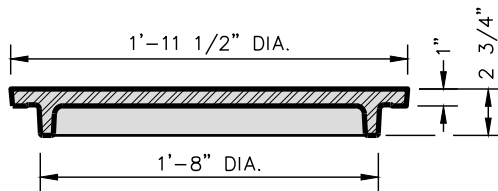
TOP VIEW

- 1 1/4" LETTERING (RECESSED)
- LETTERING/EMBLEM AS MANUFACTURED BY EAST JORDAN IRON WORKS OR EQUAL
- (2) 1" DIA. VENT HOLES
- (2) OPEN PICKHOLES
- 1 1/4" LETTERING (RECESSED)



**PLAN OF COVER**

BOTTOM VIEW



**SECTION OF COVER**

WEIGHT OF COVER= 125 LBS.

**NOTES:**

1. All lettering shall be clean, crisp and clearly legible.
2. See casting specifications [detail 638.02](#)

Details Provided by APPIAN Consulting Engineers - www.applanengineers.com



Dept. of Public Works  
101 City Hall Plaza  
Durham, NC 27701

**CITY OF DURHAM, NC**

USE WITH THE STANDARD SPECIFICATIONS ONLY

Voice (919) 560-4326

www.durhamnc.gov

**STORMWATER MANHOLE  
FRAME and COVER (4" DEPTH)**

SCALE:  
Not to Scale

DETAIL#  
635.02

REVISION DATE:  
06/2020

SHEET#  
1 of 1