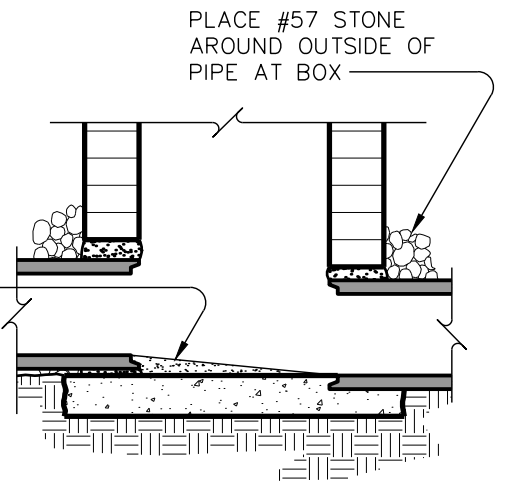
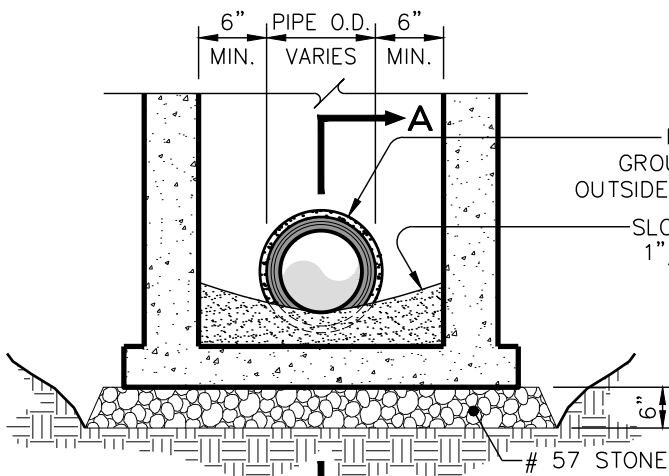


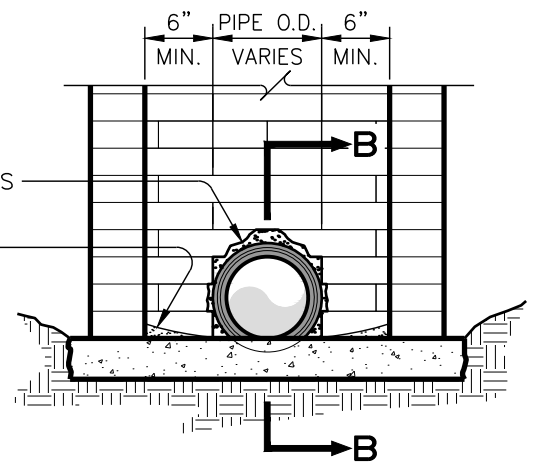
SECTION A-A



SECTION B-B



PRECAST BOX



CONCRETE BRICK BOX

NOTE 2
GROUT AROUND
OUTSIDE OF ALL PIPES
SLOPE SHELF
1"/FT MAX.

NOTES:

1. Invert to be a minimum of 3000 PSI at 28 days concrete.
2. All penetrations in boxes shall be inspected prior to backfilling structure with stone around pipe.

Details Provided by APPIAN Consulting Engineers - www.appianengineers.com



Dept. of Public Works
101 City Hall Plaza
Durham, NC 27701

CITY OF DURHAM, NC
USE WITH THE STANDARD SPECIFICATIONS ONLY

Voice (919) 560-4326

www.durhamnc.gov

**PIPE CONSTRUCTION INTO BOX
AND FORMED INVERT DETAIL**

SCALE: Not to Scale	DETAIL# 639.01
REVISION DATE: 06/2017	SHEET# 1 of 1